

MultiPost-AP anchorage device

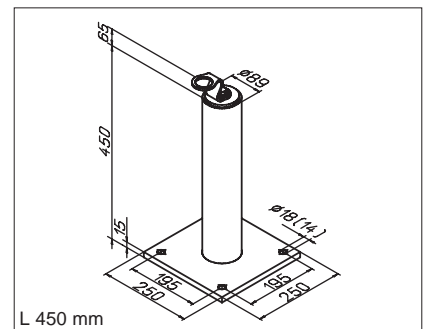
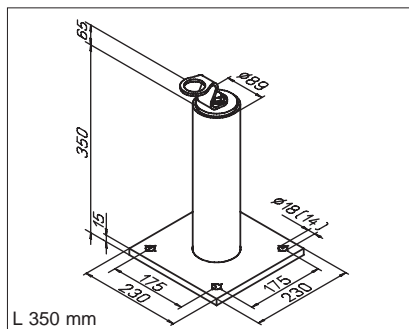
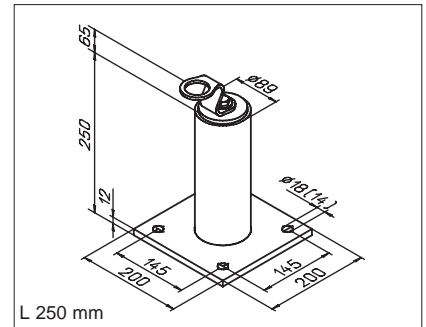
MultiPost anchorage point

Type 1 – Fixing on reinforced concrete with large, 360° rotating stainless steel lifting eye for the simultaneous securing of max. 2 persons. This can also be used as a fall indicator.

Tested to DIN EN 795 – Class A, B.

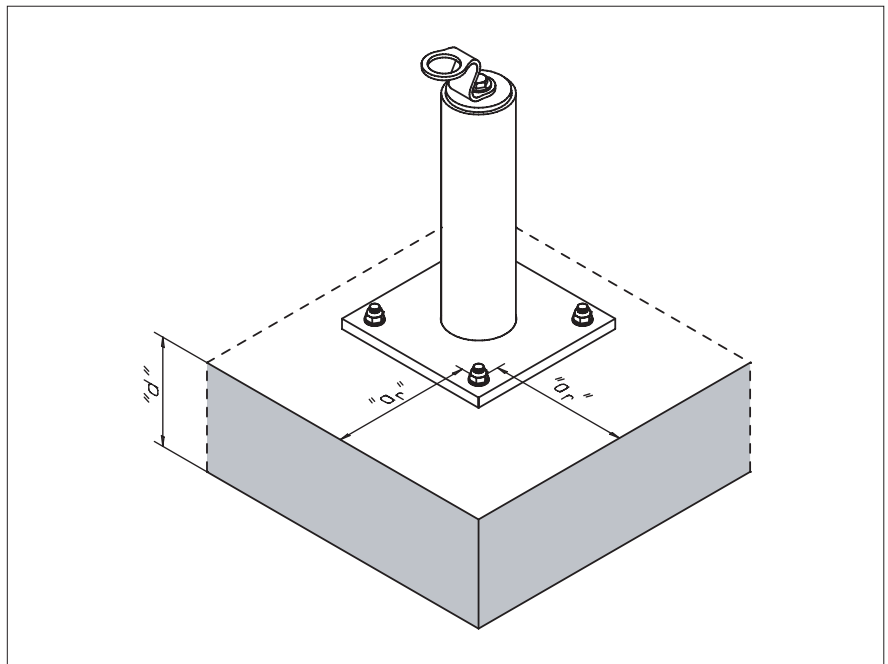
Galvanized steel

L	Weight	Part No.
for fixing pin M 16		
250	6,5 kg	23757
350	9,4 kg	23792
450	11,7 kg	23793
for fixing pin M 12		
250	6,5 kg	23794
350	9,4 kg	23795
450	11,7 kg	23796



Example application

Installation on reinforced concrete by means of pins approved by building regulatory authorities for use in reinforced concrete (not included in delivery). Minimum ceiling thickness "d" and distances from edge "a₁" according to pin approval.



Technical specifications are subject to change without notice.

MultiPost-AP anchorage device

MultiPost anchorage point

Type 2 – Fixing on steel girders

with large, 360° rotating stainless steel lifting eye for the simultaneous securing of max. 2 persons. This can also be used as a fall indicator.

Tested to DIN EN 795 – Class A, B.

For girder width b : 80 – 175 mm

Max. clamping height h : 930 mm

Complete with fixing accessories. Please state clamping height h when ordering.

Galvanized steel

L = 250 mm

Weight: 14,7 kg

Part No. 23847

L = 350 mm

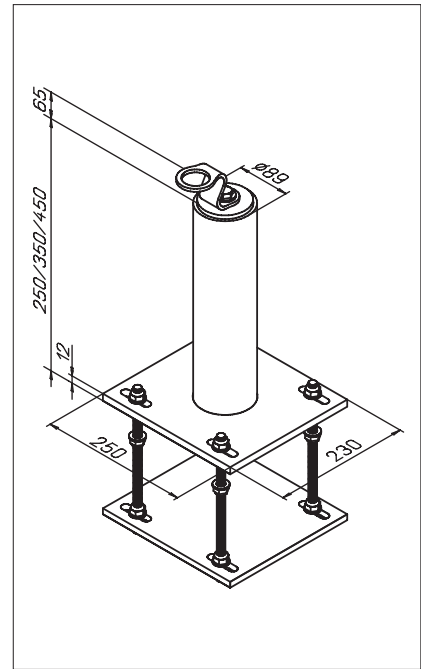
Weight: 15,7 kg

Part No. 23848

L = 450 mm

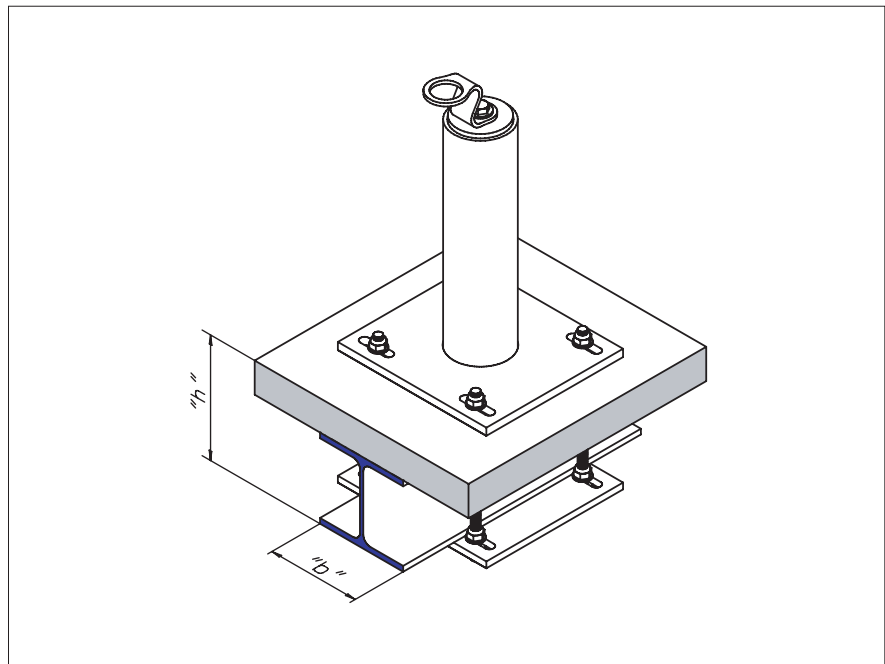
Weight: 16,7 kg

Part No. 23849



Example application

Installation on steel girders and lightweight concrete ceilings.



Technical specifications are subject to change without notice.

MultiPost-AP anchorage device

MultiPost anchorage point

Type 3 – Fixing on wooden beams

with large, 360° rotating stainless steel lifting eye for the simultaneous securing of max. 2 persons. This can also be used as a fall indicator.

Tested to DIN EN 795 – Class A, B.

For beam width b : 80 – 150 mm

Max. thickness of roof boards d : 32 mm

Complete with fixing accessories. Please state beam width b when ordering.

Galvanized steel

L = 250 mm

Weight: 12,2 kg

Part No. 23850

L = 350 mm

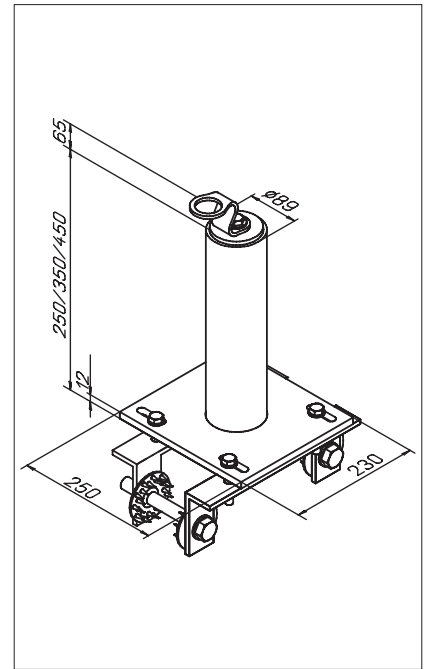
Weight: 13,2 kg

Part No. 23851

L = 450 mm

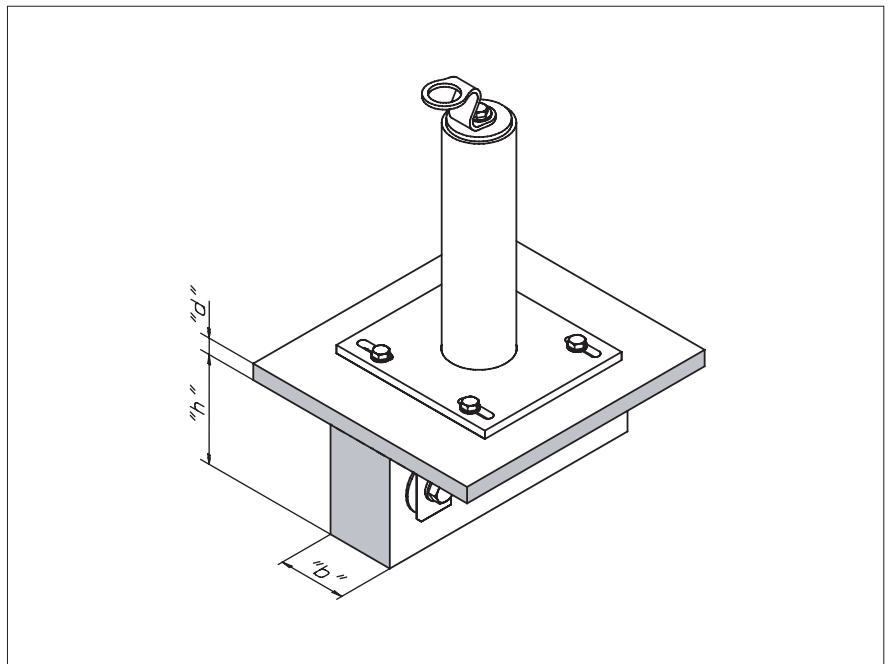
Weight: 14,3 kg

Part No. 23852



Example application

Installation on wooden beams and roof boards.



Technical specifications are subject to change without notice.

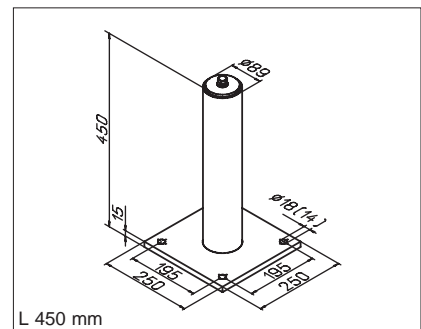
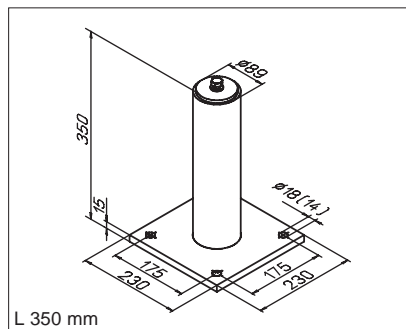
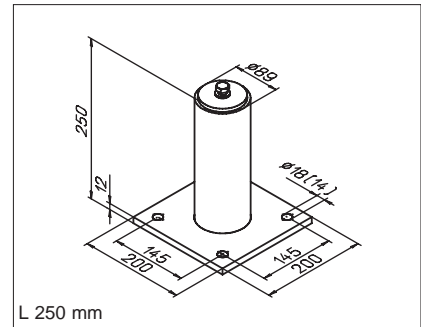
MultiPost anchorage device

MultiPost universal support

Type 1 – Fixing on reinforced concrete
tested to DIN EN 795, permitted load 15 kN. For fixing horizontal anchorage devices. Support height 250, 350 or 450 mm.

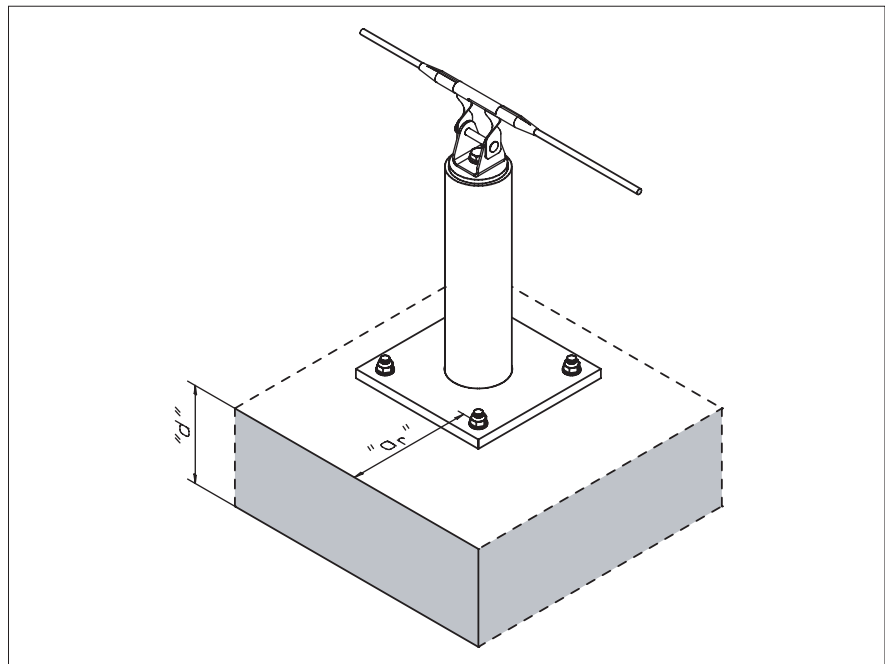
Galvanized steel

L	Weight	Part No.
for fixing pin M 16		
250	6,3 kg	23767
350	9,2 kg	23791
450	11,5 kg	23797
for fixing pin M 12		
250	6,3 kg	23798
350	9,2 kg	23799
450	11,5 kg	23800



Example application

Xenon system on MultiPost. Installation on reinforced concrete by means of pins approved by building regulatory authorities for use in reinforced concrete (not included in delivery). Minimum ceiling thickness "d" and distances from edge "a" according to pin approval.



Technical specifications are subject to change without notice.

MultiPost anchorage device

MultiPost universal support

Type 2 – Fixing on steel girders

tested to DIN EN 795, permitted load up to 15 kN. For fixing horizontal anchorage devices.

For girder width b : 80 – 175 mm

Max. clamping height h : 930 mm

Complete with fixing accessories. Please state clamping height h when ordering.

Galvanized steel

L = 250 mm

Weight: 14,5 kg

Part No. 23775

L = 350 mm

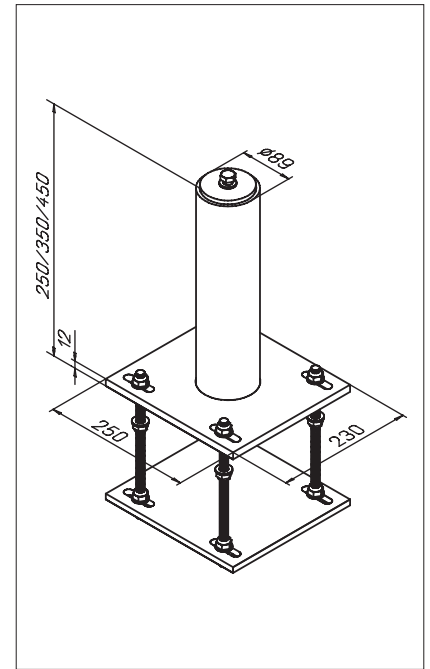
Weight: 15,5 kg

Part No. 23776

L = 450 mm

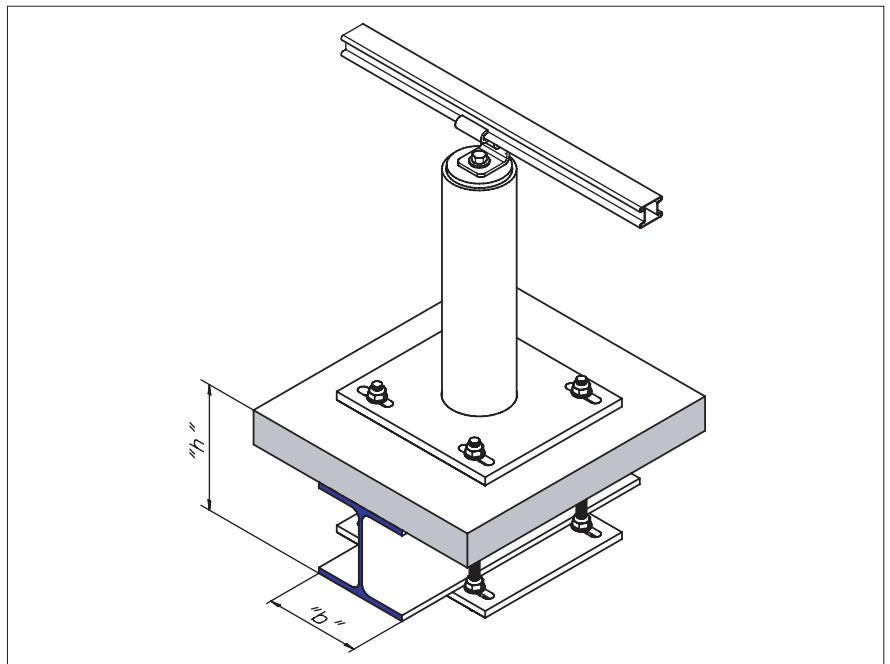
Weight: 16,5 kg

Part No. 23777



Example application

MultiRail system on MultiPost. Installation on steel girders and lightweight concrete ceilings.



Technical specifications are subject to change without notice.

MultiPost anchorage device

MultiPost universal support

Type 3 – Fixing on wooden beams

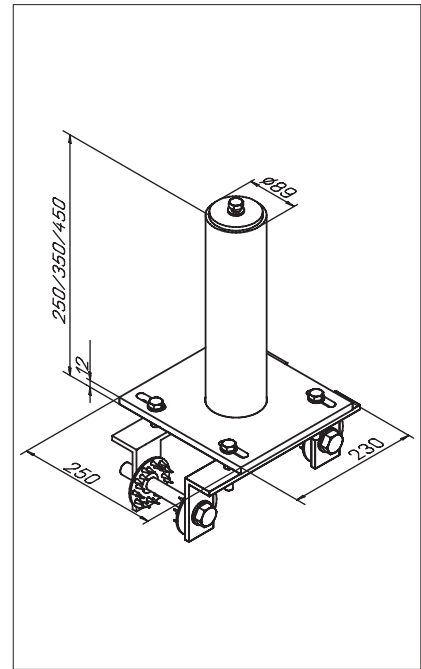
tested to DIN EN 795, permitted load up to 15 kN. For fixing horizontal anchorage devices.
For beam width b : 80 – 150 mm
Max. thickness of roof boards d : 32 mm
Complete with fixing accessories. Please state beam width b when ordering.

Galvanized steel

L = 250 mm
Weight: 12,0 kg
Part No. 23783

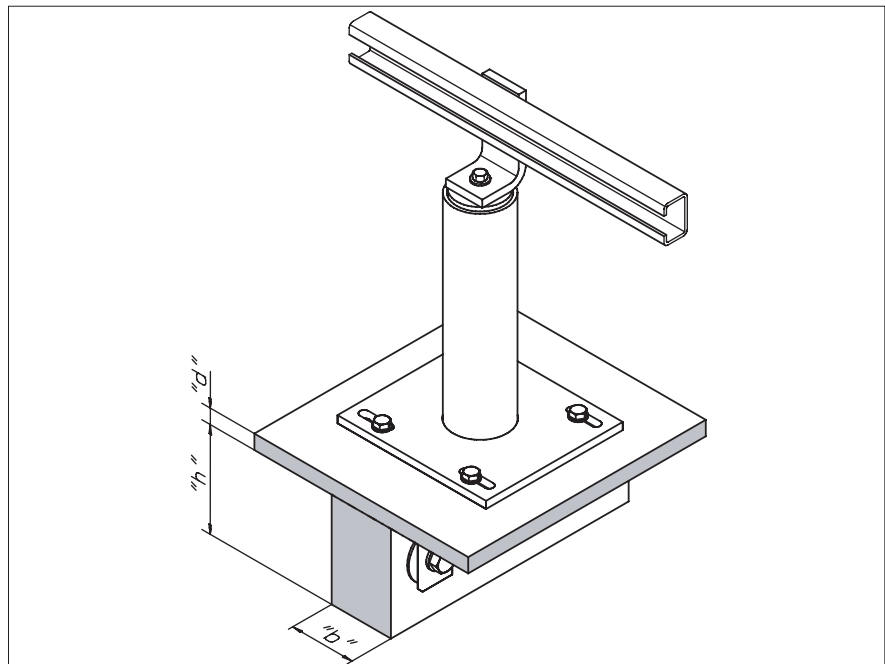
L = 350 mm
Weight: 13,0 kg
Part No. 23784

L = 450 mm
Weight: 14,1 kg
Part No. 23785



Example application

Guide rail horizontal on MultiPost. Installation on wooden beams and roof boards.



Technical specifications are subject to change without notice.

MultiPost anchorage device

Anchorage ring

Tested only together with the MultiPost according to EN 795 (Class C).
Tensile strength = 22.5kN, max tolerable load = 15kN, thread M 12.
When using MultiPost as end fixing point for Xenon, than this anchorage ring must be used. Supplied with the required washers.

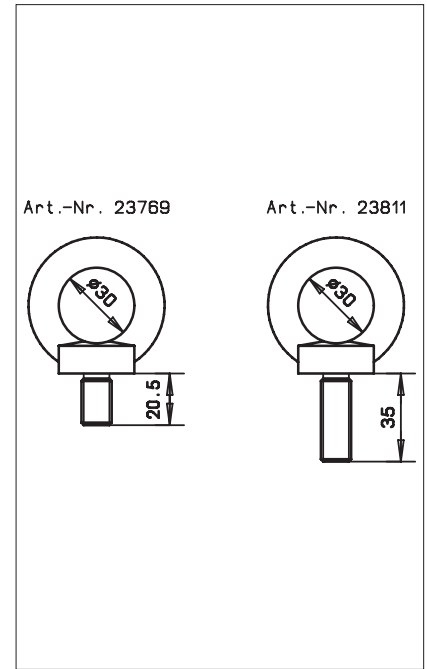
Stainless steel

To be used with MultiPost without thermal insulation

Weight: 0,18 kg
Part No. 23769

To be used with MultiPost with thermal insulation

Weight: 0,19 kg
Part No. 23811



Thermal insulation set

For MultiPost Anchorage Points and universal post for permanent installation. All necessary accessories for Anchorage Device, Multi-Rail-bracket or Xenon-bracket are included, and are compatible with the most commonly used insulation systems.

PE, Insulation material: Mineral wool, PU

for MutiPost L=450 mm

Weight: 1,3 kg
Part No. 23813

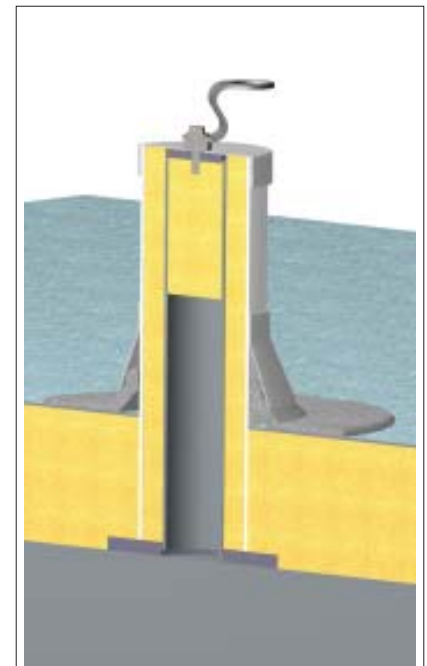
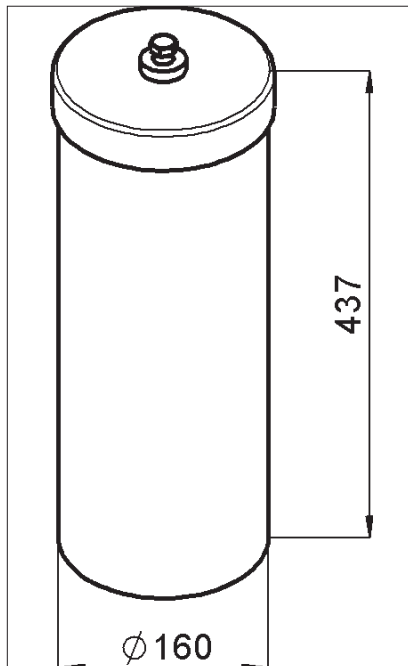
Special length upon request

Factory-fitting on MultiPost

Part No. 23817

Example of use (right)

MultiPost – AP with thermal insulation on concrete covering. Sealing by adhesive flange (not included in delivery).



Technical specifications are subject to change without notice.

Anchorage points

SÖll-RAP – Removable Anchorage Point

A new removable anchorage device which complies with EN 795, Class A. Approved to be used by two persons contemporarily. The anchor eyebolt can be removed and re-inserted into the anchor socket. It can only be released by the user pressing the unlocking button. The eyebolt can swivel ensuring the user can be safely connected in any position. Both eyebolt and socket are made from stainless steel. The anchor socket should be fixed with chemical adhesive appropriate for the substrate.

SÖll-RAP Swivel eye bolt

Weight: 0,2 kg

Part No. 23876

SÖll-RAP Basic anchors stainless steel 316Ti

Supplied with white plastic socket cap

23875	100 mm	0,2 kg
23951	125 mm	0,3 kg
23952	200 mm	0,4 kg
23953	250 mm	0,5 kg



SÖll-RAP Stainless steel plate 316Ti

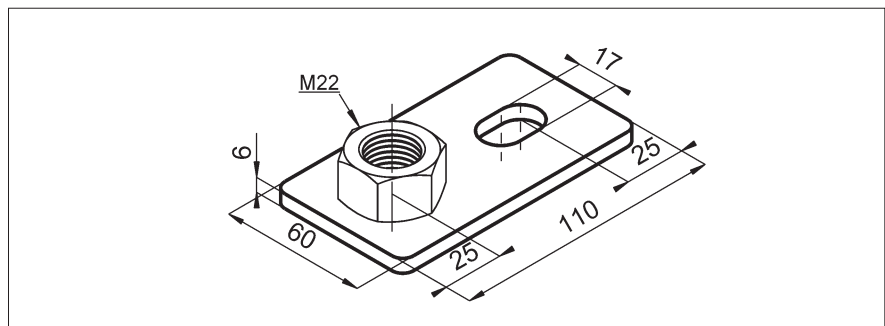
For fixing into soffit above a suspended ceiling

Weight: 0,4 kg

Part No. 23955

Threaded bolt M16 including nuts and washers

24042	330 mm	0,2 kg
24041	660 mm	0,2 kg
24040	1000 mm	0,3 kg

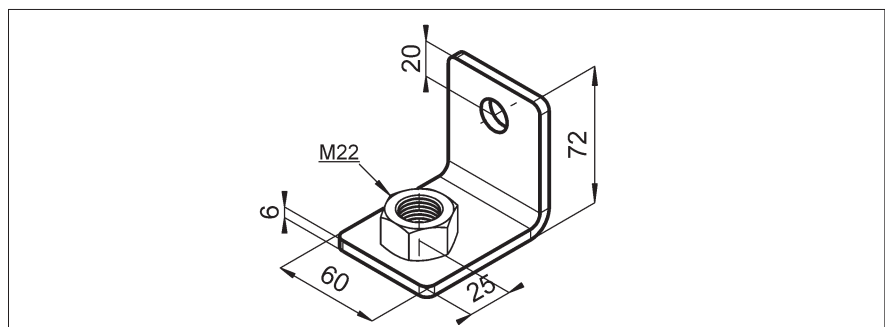


SÖll-RAP Stainless steel angle 316Ti

For fixing to walls above a suspended ceiling

Weight: 0,5 kg

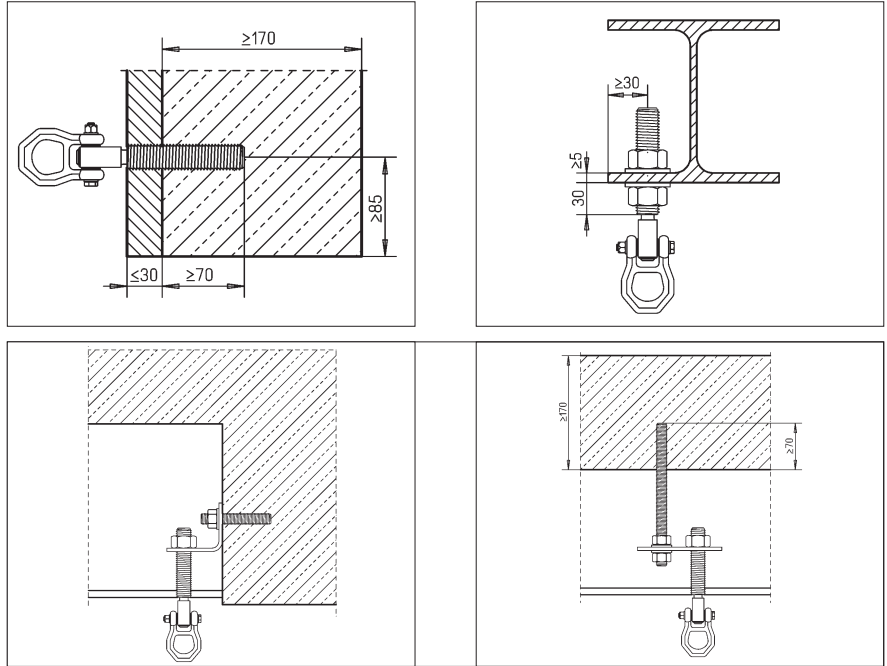
Part No. 23954



Technical specifications are subject to change without notice.

Anchorage points

SÖLL-RAP Example of use



SÖLL-WAP – Wall Anchorage Point

A single anchor point, with integral fall indicator, which complies with EN795, Class A. Approved for 1 person, can be fixed to structural steel or non-cracked structural concrete (minimum thickness 165mm) The fall indicator will activate at 3.5kN. The delivery includes the wall eyelet, the fixing elements as well as a compound anchor cartridge. The instruction sheet included must be observed accurately.

SÖLL-WAP Wall anchorage point

Weight: 0,14 kg
Part No. 23948



Technical specifications are subject to change without notice.

Accessories

Safety ring

tested i.a. w. DIN EN 795 - class A.1.

Min. mast diameter 60 mm.

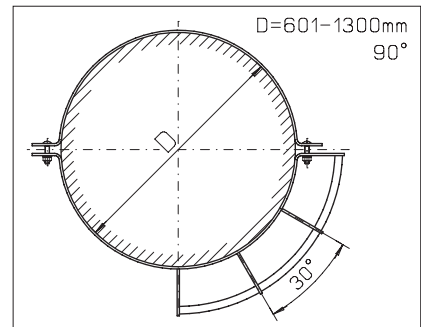
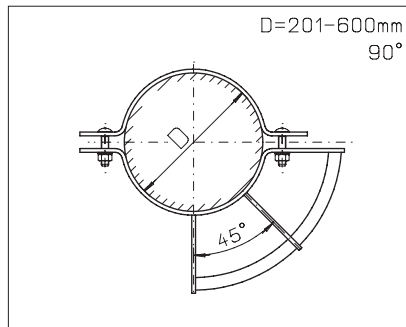
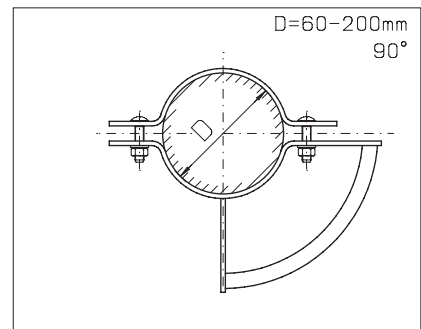
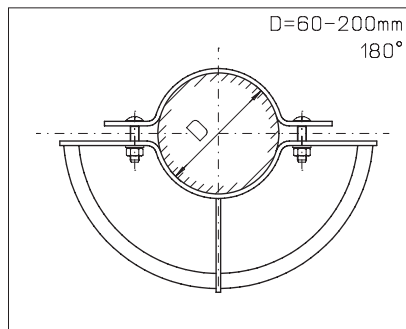
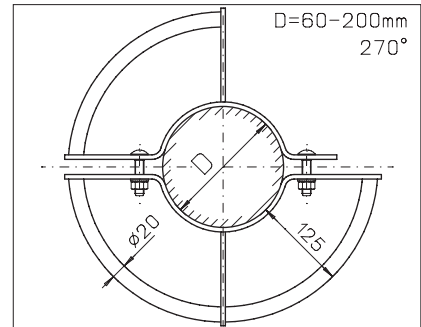
max. mast diameter 1.300 mm.

Complete with all fitting elements. When ordering please state size of segment (90°, 180°, 270° or 360°) and exact mast diameter.

Galvanized steel

Weight: depending on dimensions

Part No. SR-<segment size>-<Ø in mm>



Söll-Map mast anchoring point:

Clip with eye.

tested i.a. w. DIN EN 795 - class A.1.

Min. mast diameter 60 mm.

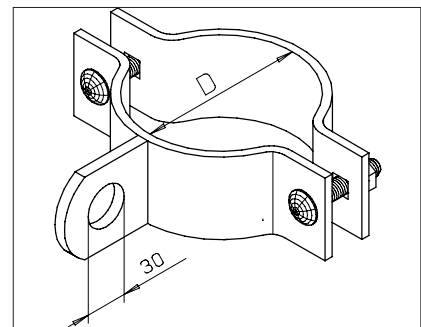
max. mast diameter 300 mm.

Complete with all fitting elements. When ordering please state exact mast diameter.

Galvanized steel

Weight: depending on dimensions

Part No. BS-OESE-<Ø in mm>



Technical specifications are subject to change without notice.